



# **EECS Electricity Domain Protocol**

**for  
Lithuania**

Prepared by LITGRID AB

Based on EECS Rules Release 7 v9

Release [1] [2018]



# EECS Domain Protocol

## Document Control

Version	Date	Originator	Reviewers
[1] [2018]	08.06.2018	LITGRID AB	Liesbeth Switten and Katrien Verwimp

Version	Approver	Date	Responsibility
1			

## Change History

Version	Description
[1] [2018]	Initial release



# EECS Domain Protocol

## Contents

A	Introduction .....	5
B	General .....	6
B.1	Scope .....	6
B.2	Status and Interpretation .....	6
B.3	Roles and Responsibilities .....	6
C	Overview of National Legal and Regulatory Framework .....	7
C.1	The EECS Framework .....	7
C.2	National Electricity Source Disclosure .....	8
C.3	National Public Support Schemes.....	8
C.4	EECS Product Rules.....	9
C.5	Local Deviations from the EECS Rules .....	9
D	Registration.....	11
D.1	Registration of an Account Holder .....	11
D.2	Resignation of an Account Holder .....	11
D.3	Registration of a Production Device.....	12
D.4	De-Registration of a Production Device .....	14
D.5	Maintenance of Production Device Registration Data .....	14
D.6	Audit of Registered Production Devices .....	15
D.7	Registration Error/Exception Handling .....	15
E	Certificate Systems Administration .....	15
E.1	Issuing EECS GO Certificates .....	15
E.2	Process .....	17
E.3	Measurement .....	17
E.4	Energy Storage (Including Pumped Storage) .....	18
E.5	Combustion Fuels (e.g. Biomass).....	18
E.6	Format.....	19
E.7	Transferring EECS GO Certificates .....	19
E.8	Administration of Malfunctions, Corrections and Errors.....	20
E.9	End of Life of EECS GO Certificates – Cancellation.....	20
E.10	End of Life of EECS GO Certificates – Expiry .....	21
E.11	End of Life of EECS GO Certificates – Withdrawal.....	21
F	Issuer's Agents .....	22
F.1	Production Auditor.....	22
F.2	Production Registrar .....	22
G	Activity Reporting .....	22
G.1	Public Reports.....	22



# EECS Domain Protocol

G.2	Record Retention .....	22
G.3	Orderly Market Reporting .....	23
H	Association of Issuing Bodies .....	23
H.1	Membership.....	23
H.2	Complaints to the AIB .....	23
I	Change Control.....	24
I.1	Complaints to LITGRID and disputes .....	24
I.2	Change Requests .....	24
	Annex 1: Contacts List .....	25
	Annex 2: Submission Form and Know-Your-Customer Questionnaire .....	26
	Annex 3: Device Registration Form .....	28
	Annex 4: Production/Consumption Declaration .....	30
	Annex 5: EECS Electricity Cancellation Statement .....	32



# EECS Domain Protocol

## A Introduction

The framework specified in the EECS Rules and the detailed procedures and conditions specified in this Domain Protocol have the main objective of ensuring robustness and transparency in the facilitation of EECS Schemes for all EECS Market Participants.

A Domain Protocol promotes quality and clarity, as it:

- makes local rules transparent;
- provides clear information to all stakeholders (consumers, market parties, other members, government, the EU Commission etc.);
- facilitates assessment of compliance and permissible variance from the EECS Rules;
- facilitates audit; and
- translates local rules into a single format and language, supporting each of the above.

Important contact information is provided in Annex 1.



## B General

### B.1 Scope

- B.1.1. This Domain Protocol sets out the procedures, rights and obligations, which apply to the Domain of Lithuania and relate to the EECS Electricity Scheme as defined in the EECS Rules.
- B.1.2. Production Device qualification for this Domain will be determined by connection to the electricity system of Lithuania such that, in electrical terms, the Production Device is effectively located in Lithuania.
- B.1.3. LITGRID AB (thereinafter – LITGRID) - transmission system operator (TSO) is authorised to Issue EECS Certificates relating to the following EECS Product(s):
  - B.1.3.1. The EECS-Guarantee of origin - thereinafter EECS GO, for electricity produced from renewable energy sources (RES-E).
  - B.1.3.2. This section B.1.3.1 will only come into force when C.5.2 will have been removed, after approval by AIB.
- B.1.4. EECS GO and High Efficient Co-Generation are regulated by the Lithuanian legislation. The EECS GO for electricity from renewable sources is the only EECS Product Lithuania has applied for.
- B.1.5. In accordance with this regulatory framework, the EECS GO is the only method for proving to a final customer that a given share or quantity of energy was produced from renewable sources.
- B.1.6. EECS GOs are issued for electricity produced from renewable energy, but not for high efficient cogeneration, fossil and nuclear electricity.
- B.1.7. All operations with the EECS GO in this Domain Protocol are related only to electricity from the renewable sources.

### B.2 Status and Interpretation

- B.2.1. The EECS Rules are subsidiary and supplementary to national legislation.
- B.2.2. The EECS Rules and its subsidiary documents are implemented in Lithuania in the manner described in this Domain Protocol. Any deviations from the provisions of the EECS Rules that may have material effect are set out in section C.5 of this document.
- B.2.3. The capitalised terms used in this Domain Protocol shall have the meanings ascribed to them in the EECS Rules except as stated in section C.5 of this document.
- B.2.4. This Domain Protocol is made contractually binding between an EECS Market Participant and LITGRID by agreement in the form of the Standard Terms and Conditions (thereinafter – STC).
- B.2.5. In the event of a dispute, the approved English version of this Domain Protocol will take precedence over a local language version.

### B.3 Roles and Responsibilities

- B.3.1. The Authorised Issuing Body for EECS GO in Lithuania is LITGRID. Its role is to administer the EECS Registration Database and its interface with the EECS Transfer System.
- B.3.2. The Competent Authority for EECS GO in Lithuania is LITGRID. Its role is defined by legislation to be responsible for the operation of EECS GO in Lithuania.
- B.3.3. The Authorised Measurement Bodies are LITGRID and the distribution system operators that are listed on the National Regulatory Authority website <http://www.regula.lt/en/Pages/default.aspx>. The Authorised Measurement Bodies are

established under national regulation to be responsible for the collection and validation of measured volumes of energy used in national financial settlement processes.

- B.3.4. Contact details for the principal roles and Issuing Body agents are given in Annex 1.
- B.3.5. The EECS Registration Database operated by LITGRID can be accessed via website <http://cmo.grexel.com> (thereinafter – Registry).
- B.3.6. Application form, general information and final publication of EECS GOs operations are available on the website: <http://www.litgrid.eu/index.php/services/certification-of-origin/certification-of-origin/580>.
- B.3.7. In Lithuania no Non-Governmental Certificates exist. In Lithuania no EECS GO are issued in combination with an Independent Criteria Scheme.

## C Overview of National Legal and Regulatory Framework

### C.1 The EECS Framework

- C.1.1. For this Domain the relevant local legislation is as follows:
  - C.1.1.1. The Law on Energy from Renewable Sources No. XI-1375 adopted by the parliament of the Republic of Lithuania on 12 May 2011 – link to the document <https://www.e-tar.lt/portal/lt/legalAct/TAR.FC7AB69BE291/UVtASakeWI> (thereinafter - The Law on Energy from Renewable Sources). The use of EECS GO's is described in chapter five.
  - C.1.1.2. The Law on Electricity of the Republic of Lithuania No. VIII-1881 adopted by the parliament of the Republic of Lithuania on 20 July 2000 - link to the document <https://www.e-tar.lt/portal/lt/legalAct/TAR.F57794B7899F/IQUKIToXtd> (thereinafter - The Law on Electricity).
  - C.1.1.3. The Rules of GO procedures approved by Order No.1-298 of the Minister of Energy of the Republic of Lithuania dated on 14 November 2016 - link to the document <https://www.e-tar.lt/portal/lt/legalAct/cd1412c0ab3511e6a6f98c1425a5ffa8> (thereinafter - The Rules of GO). These rules explain how the EECS GO procedure operates in Lithuania.
- C.1.2. The details concerning how the EECS GO system is operating in Lithuania is stated in the Law on Energy from Renewable Sources and in the Rules of GO implementing RES directive 2009/28/EC. The main provisions defined in this regulation are as follows:
  - C.1.2.1. The EECS GO is an electronic document issued by LITGRID upon application of the producer/supplier and the sole purpose of the EECS GO is to prove that the unit of electricity has been produced from a renewable source.
  - C.1.2.2. Any use of the EECS GO shall take place within 12 months of production of the corresponding energy unit, after this period they shall expire. The EECS GO shall be cancelled in the EECS registration database once it has been used.
  - C.1.2.3. For providing proof to a final customer that a given share or quantity of energy was produced from renewable sources, the EECS GO issued in Lithuania or in other Member States of the European Union or in other states from European Economic Area shall be used. The EECS GO can be transferred independently of the energy to which it relates, from one Account holder to another.
  - C.1.2.4. The amount of electricity with regard to which the EECS GO is issued shall be determined using remote metering devices and is measured as the nett electrical energy injected via all of the producer's connection points to the grid during one calendar month period.
- C.1.3. LITGRID has been properly appointed as an Authorised Issuing Body for RES EECS GOs by The Order No. 1-298 of the Minister of the Republic of Lithuania dated 14 November 2016.



## EECS Domain Protocol

- C.1.4. In accordance with Lithuanian law, LITGRID can recognize the EECS GO issued in European Union Member States and the European Economic Area.

### C.2 National Electricity Source Disclosure

- C.2.1. Legislation and regulation:

- C.2.1.1. The disclose of CO<sub>2</sub> emissions and radioactive waste when disclosing specific supplier mix is regulated, but not mandatory, suppliers might provide such information on the consumer request according to the Law on Electricity .
- C.2.1.2. The Law on Energy from Renewable Sources (Article 28) states that energy supplier shall, in accordance with the procedure established by the legislation and within its remit, provides information to its final customers about the share or the amount of energy from renewable sources in the energy supplied. This share or amount of supplied energy shall be calculated on the basis of the amount of energy from renewable energy sources for which a guarantee of origin has been issued.
- C.2.1.3. The Law on Electricity (Article 51 part 6) states that energy suppliers on their website or website of supplier association to which the respective supplier belongs or on the electricity exchange website shall disclose and at the request of the consumer provide clearly understandable information on contribution of each energy source to the overall fuel mix, including renewable energy, supplied by the supplier during preceding year, provided that such information is available. With respect to electricity supplied which was obtained via an electricity exchange or imported from an undertaking situated outside the European Union, aggregate figures provided by the exchange or the undertaking in question over the preceding year may be used.
- C.2.1.4. The Law on Energy No. XI-1888 adopted by the parliament of the Republic of Lithuania on 22 December 2011 (Article 8 part 9 paragraph 17) (link to the document - <https://www.e-tar.lt/portal/lt/legalAct/TAR.44235B485568/AeszdaijwC> ) states that the National Commission for Energy Control and Prices in accordance with the procedure established by legal acts, has the right, in accordance with the competence, to inspect the information provided by energy entities to state institutions and (or) consumers, to assess its reliability, without violating the requirements of the protection of information held by commercial (industrial) or professional secrecy.
- C.2.1.5. Procedure for publicly disclosed information, approved by the National Commission for Energy Control and Prices (Article 22) (link to the document - <https://www.e-tar.lt/portal/lt/legalAct/2c79837072cd11e3a017ebc0cf91d114/HTerBMwNJg> ) states that the retail supplier on a regular basis publishes and updates the information on contribution of each energy source to the overall fuel mix, including renewable energy, supplied by the supplier during preceding year, provided that such information is available. The Commission conducts regular monitoring of the information published by regulated companies and, if necessary, takes steps to ensure that the published information complies with legal requirements.
- C.2.1.6. The Rules of GO (Article 16) states that GO is deemed cancelled when GO is being transferred to an end user in order to prove the origin of the electricity supplied.

### C.3 National Public Support Schemes

- C.3.1. The Law on Energy from Renewable Sources regulates the support scheme in Lithuania. The usage of renewable energy sources shall be promoted by applying the specified support scheme consisting of one or several support measures:
- C.3.1.1. fixed rate for the producers up to 12 years from the day of electricity production permit issuance winning the auction for allocation of supported capacities for the production of





## EECS Domain Protocol

electricity from renewable energy sources. The auctions of allocation of supported capacities shall be organised in accordance with the procedure set out by the National Commission for Energy Control and Prices.

- C.3.1.2. purchase of energy from renewable sources by the single buyer - energy enterprise designated by the Ministry of Energy or, at the request of the small electricity producer, by a public supplier in the territory serviced by whom the producer is operating, on the basis of a contract concluded with the producer.
- C.3.1.3. reimbursement of 80 (installed capacity <350 kW) or 60 (>350 kW) percent of connection costs of renewable energy installations to energy grids or systems.
- C.3.1.4. reservation of the capacity and transfer capability or other relevant technical parameters of energy grids or systems for connection of renewable energy installations. Transmission system operator in cooperation with the distribution network operator shall announce and regularly update on its website the relevant data on the available free capacity and transfer capabilities of electricity transmission grids.
- C.3.1.5. priority of transmission of energy from renewable sources in respect of the electricity producer. Electricity transmission via electricity grids may be limited or suspended in accordance with the procedure set out by legal acts under the circumstances specified in the Law of the Republic of Lithuania on Energy from Renewable Sources.
- C.3.1.6. exemption of electricity generators from production balancing responsibility, which shall be carried by grid, to which generator is connected, operators.
- C.3.1.7. support for production and processing of agricultural commodities, namely, raw materials for the production of biofuels, biofuels for transport, bio lubricants and bio oils;
- C.3.1.8. the requirements in relation to mandatory use of renewable energy sources for energy production and/or mandatory consumption of energy from renewable sources, also the requirements for the use of biofuels for transport;
- C.3.1.9. support of investments in renewable energy technologies.
- C.3.1.10. The GO which received support according to support schemes described in the Domain Protocol sections C.3.1.1-C.3.1.6 is issued and cancelled simultaneously, GO is not transferable or cancellable by producer/supplier and therefore is not EECS GO.

### C.4 EECS Product Rules

- C.4.1. The EECS Product Rules as applied in Lithuania are set out within sections D and E of this document.

In accordance to EU Directives and Lithuania legislation, LITGRID issues EECS GOs for the purpose of disclosure of electricity produced from renewable sources and final consumer's transparency.

### C.5 Local Deviations from the EECS Rules

- C.5.1. The formula in section E.5.3 for calculating the amount of RES electricity produced in mixed-fuel type power plants differs from the formula in section N.6.3.2 of EECS Product Rules. The different formula has no impact as instead of using multiplication of mass and calorific value directly the factor of tonnes of oil equivalent is applied.
- C.5.2. There is a deviation from EECS RULES sections A2.1.2, C3.3.1 and E3.3.14, as the Lithuanian legislation does not yet foresee in the avoidance of double disclosure of GOs that are issued for production in/have resided in Lithuania. Therefore Litgrid is only Member of the EECS Electricity Scheme for import of Guarantees of Origin. This implicates:
  - a. GOs issued for electricity production in Lithuania, cannot be called EECS™ GOs;



## EECS Domain Protocol

- b. GOs that have resided in Lithuania cannot be exported over the AIB hub;
- c. However, import of EECS GOs from other Domains to Lithuania, over the AIB hub, is allowed;

## D Registration

### D.1 Registration of an Account Holder

- D.1.1. Any legal person who is not a member of the Association of Issuing Bodies or such member's affiliate or agent and other participants in the electricity market seeking to obtain the EECS GO and/or the recognition of EECS GO issued in foreign states can apply to be an Account Holder in the Registry.
- D.1.2. The potential Account Holder must contract with LITGRID under the STC, which are published on LITGRID website [www.litgrid.eu](http://www.litgrid.eu).
- D.1.3. The potential Account Holder who wants to sign STC with LITGRID must submit a completed submission form provided in Annex 2.
- D.1.4. After receiving all documentation from the potential Account Holder, LITGRID evaluates whether the application can be accepted. Handling time of properly submitted applications is 10 business days from the date of submission of the application/the additional information. Reasons for rejection may be:
- D.1.4.1. Required documents are missing or not properly filled / signed;
  - D.1.4.2. LITGRID has doubts about the expertise and / or aims of the applicant;
  - D.1.4.3. Rejection recommendation by the AIB.
- D.1.5. If the application is accepted, LITGRID creates an Account in the Registry for the applicant organization. When the Account is activated, a log-in authorisation Certificate will be sent via e-mail to the applicant, awarding full rights to the created Account (root user). The password to install the Certificate will be sent via sms. The applicant organization is then an Account Holder and can start operating the Account. One Account Holder organisation can have multiple users.
- D.1.6. LITGRID signs both copies of the STCs, one is stored in the LITGRID archive and the other is sent to the Account Holder. If possible, digital signing is used.
- D.1.7. LITGRID may hold an Account in the Lithuanian domain and may own a Certificate for the below listed purposes, but it reports such activity to the Association of Issuing Bodies:
- D.1.7.1. Testing;
  - D.1.7.2. Undisputed debt;
  - D.1.7.3. Own use.

### D.2 Resignation of an Account Holder

- D.2.1. The Account Holder must notify LITGRID on the intent to close his account. The effective date of closure must not be less than 30 working days from the date of receipt of the relevant application by LITGRID. This can be done by (digitally) signing a free form application.
- D.2.2. LITGRID will close that account as of the effective date on the request or 30 working days from the date of receipt of the application by LITGRID whichever is the later.
- D.2.3. The account must not contain any EECS GO Certificates at the time of closure and all financial claims LITGRID has towards an Account Holder must be settled before the closure of the account. LITGRID requires the Account Holder to transfer or cancel all remaining EECS GO Certificates before closure.
- D.2.4. LITGRID is not obligated to return already paid fees of the Account Holder, such as the yearly fee for Account Holders, which is stated in STC.

## D.3 Registration of a Production Device

D.3.1. Production Device's Owners or Authorised Agents can apply for registration of Production Device in the Registry. In order to be registered Production Devices must:

- be located in Lithuania;
- to have a permit to produce electricity from renewable sources.

D.3.2. By registering a Production Device for the purpose of EECS, Production Device Owners or Authorised Agents consents to the publication of limited data of the Production Device:

- Name;
- Domain;
- GSRN number;
- Fuel(s);
- Technology;
- Installed capacity;
- Date of commissioning;
- Location;
- Name and address of operator;
- Support schemes.

D.3.3. Main documents required for registration to the Registry (Annex 2):

D.3.3.1. A completed submission form as stated in section D.1.3;

D.3.3.2. Power of Attorney for the Authorised Agent. In case the applicant or its affiliate is not the (sole) owner of the Production Device, it must include a power of attorney signed by (other) owner(s) of the Production Device;

D.3.3.3. A copy of a permit to produce electricity. The Energy Inspectorate is authorised for the issuance of permits to produce electricity. The Energy Inspectorate before issuing the permit always exercise control/audit/inspections on site until a Production Device is recognized suitable for use<sup>1</sup>;

D.3.3.4. A copy of the recent Production Device inspection of the Energy Inspectorate. The State Inspectorate carries scheduled inspections of Production Devices according to yearly plans or by request of LITGRID;

D.3.3.5. Other data such as bank account numbers, address, contact person, email, etc.

D.3.3.6. Any other necessary documents/information depending of the type of Production Device.

D.3.3.7. LITGRID may request additional information for the registration if necessary, specifying the time limit within such information must be submitted.

D.3.3.8. Only equipped with the metering equipment Production Devices can be registered in the Registry. Production Device's Owners or Authorised Agents shall specify authorised Measurement Bodies (the electricity grid operators) to which their Production Device is connected in the submission form as stated in D.1.3. This information is required for the monthly data control.

D.3.4. In case of doubts about the Production Device, LITGRID can inspect the Production Device on site or apply to the Energy Inspectorate for the inspection of Production Device.

D.3.5. LITGRID confirms the registration of the Account Holder after approval of received information or in case of Production Device inspected no later than within 10 working days from the date of submission of the application/the additional information. Should the potential Account Holder fails to submit additional information on the request of LITGRID

---

<sup>1</sup> Link to the Granting authorisations for the generation of the electricity:  
<https://vei.lrv.lt/en/administrative-services/authorizations-for-activities-in-electricity-energy-sector/granting-authorisations-for-the-generation-of-electricity>

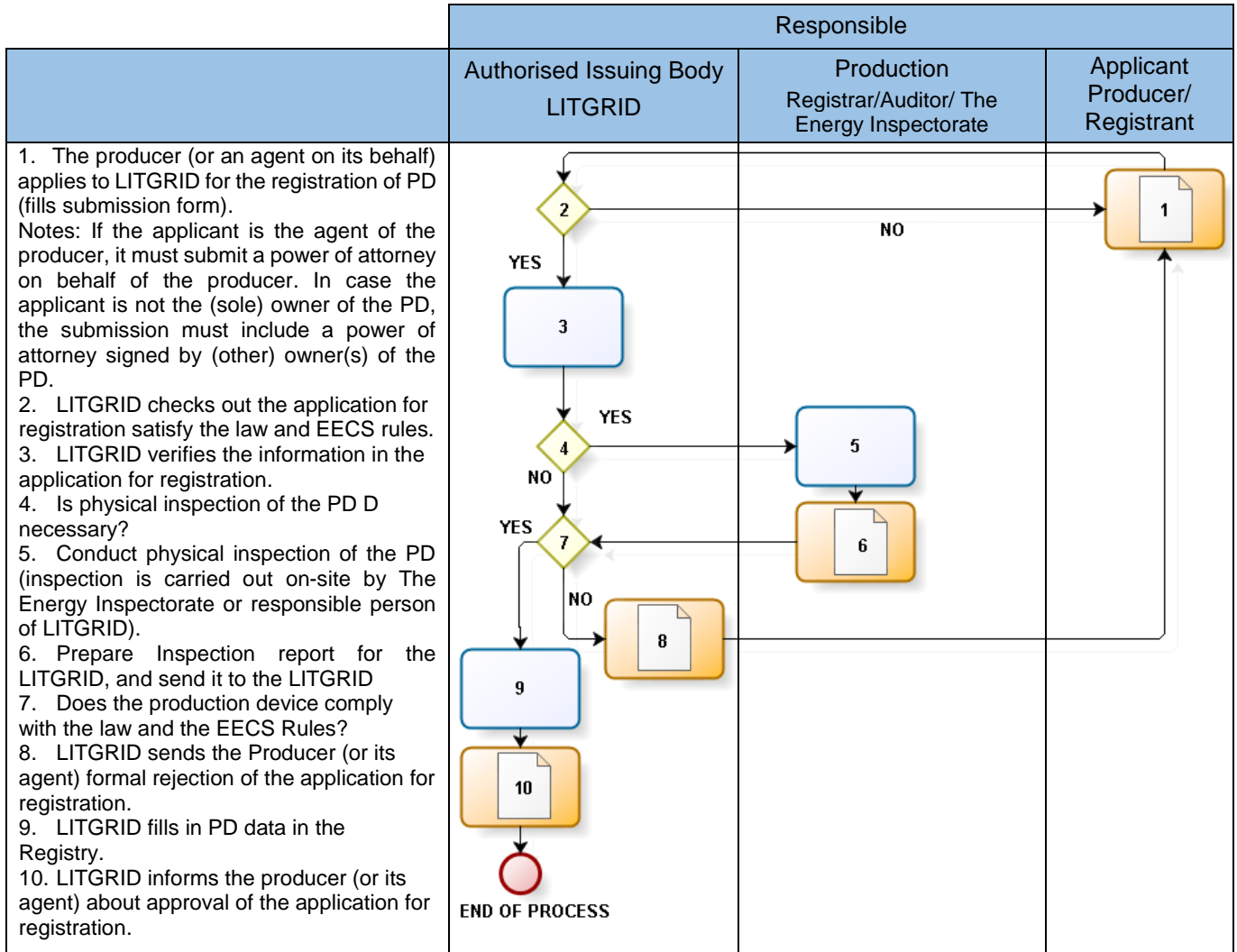


# EECS Domain Protocol

or the Production Device does not comply with Lithuanian laws or the EECS Rules, LITGRID shall reject the application and inform an Account Holder.

D.3.6. If the Production Device satisfies both the Lithuanian laws and the EECS Rules, LITGRID registers the Production Device in the Registry and enables the issuance of EECS certificates for the Production Device and informs the registrant accordingly. After Production Device registration, it is assigned a unique identifier that also identifies the Domain of origin. GS1/GSRN (Global Service Relational Number) coding is used.

D.3.7. Process:





# EECS Domain Protocol

## D.4 De-Registration of a Production Device

- D.4.1. Account holder can apply for de-registration of Production Device in the Registry. The effective date of de-registration must not be less than 30 working days from the date of receipt of the relevant application by LITGRID. This can be done by (digitally) signing a free form application.
- D.4.2. LITGRID will update the EECS Registration Database record for that Production Device to show that the Production Device no longer qualifies for EECS Scheme Certificates with effect from as of the effective date on the request or 30 working days from the date of receipt of the application by LITGRID whichever is the later.
- D.4.3. LITGRID is not obligated to return already paid fees of the Account Holder.
- D.4.4. Where LITGRID becomes aware that a Production Device no longer fulfils, or will no longer fulfil the qualification criteria the EECS Registration Database record for that Production Device will be updated to shown that the Production Device no longer qualifies for EECS Scheme Certificates with effect from:
  - D.4.4.1.(in relation to planned changes notified in advance) the date on which such planned changes are due to come into effect; or
  - D.4.4.2.(in relation to other changes) as soon as reasonably practicable after becoming so aware.

## D.5 Maintenance of Production Device Registration Data

- D.5.1. The Account Holder must inform LITGRID about any changes that were made on the Account Holder account in the registration database and to any documents submitted to LITGRID when applying for the Account.
- D.5.2. Where the capacity of an existing Production Device increases for any reason, including refurbishment or enhancement of the Production Device, then such additional capacity may be registered in the relevant EECS Registration Database as a separate Production Device with specified application and the date on which the new separate Production Device became operational.
- D.5.3. Only LITGRID can change the information in the Registry related to the Production Device (as stated in sections D.3.2, D.3.3.). Other revisions of information can be done by the Account Holder, only after LITGRID approves them.
- D.5.4. On receipt of notification of a change in the Production Device Registration Data (following an inspection or otherwise), LITGRID will evaluate the impact of the changes on the Qualifying Criteria and respond to the Registrant within 10 working days specifying the decision taken. LITGRID may respond to the changes by approving or disapproving them in the Registry.
- D.5.5. In order to qualify for EECS GO Certificates the Production Device must be re-register every 5 (five) years. The Account Holder before that five year deadline must send a formal request to the LITGRID on the re-registration of his Production Device and specify the effective date of re-registration. The Account holder must provide the same documents as stated in section D.1.3. LITGRID will thereby proceed to re-registration of the Production Device from the registration database as of the effective date on the request or the first day of the next



# EECS Domain Protocol

calendar month in which LITGRID received the request. The relevant data on a Production Device will be stored in the database also after re-registration.

## D.6 Audit of Registered Production Devices

D.6.1. The Production Devices are registered in Lithuanian Registry of EECS GO.

D.6.2. The Energy Inspectorate carries out scheduled and / or unscheduled inspections<sup>2</sup>. The scheduled inspections are performed once per year, according to the inspections checklist as required by Lithuanian law. In addition, inspections depend on the risk levels. The inspections of high-level risk are carried out every three years, average level - every five years, low-level - every six-eight years. Unscheduled inspections are performed at separate request/ appeals (for example as required by the Rules of GO on the article No. 29).

D.6.3. If a Production Device fails to pass the requirements of the audit or the registration information has changed significantly, EECS GO Certificates will not be issued before corrective actions have been performed. If an inspection identifies material differences from the details recorded in the Registry, LITGRID reserves the right to request the Account Holder to re-apply for registration.

D.6.4. Refusal to permit access may be considered a breach of the STC.

## D.7 Registration Error/Exception Handling

D.7.1. Any errors in EECS GO Certificates resulting from an error in the registered data of a Production Device will be handled in accordance with EECS Rules section E.8.

D.7.2. Where LITGRID determines that an EECS Market Participant is in breach of the Product Rules or determines that a Production Device does not meet Production Device's Qualification Criteria for an EECS Product in relation to which it is registered, LITGRID shall take such action as is necessary (by informing Production Device owner or Account Holder) to secure that it is compliant with the EECS Rule's section E3.3.9(b), such action to include, in a case of material non-compliance by the Registrant, the withdrawal of registration of the relevant Production Device for the purposes of that EECS Product.

D.7.3. LITGRID informs AIB of such breach if it could affect the transfer of EECS Certificates out of its EECS Registration Database into the EECS Registration Database of another Member.

## E Certificate Systems Administration

### E.1 Issuing EECS GO Certificates

This section E1 will only enter into force when section C5.2 will have been removed by a decision of the AIB General Meeting.

E.1.1. In accordance with section B.1.3.1, the EECS GO is the only official EECS product in Lithuania. For the purpose of disclosure of electricity from renewable sources and final consumers' transparency, there is no possible interaction with other certificates. Alteration of EECS GO is not possible, since the whole system —and every single of their entries— is under the responsibility of LITGRID.

E.1.2. Only Production Devices registered in the EECS GO Registry are allowed to request for issuing EECS GOs. If Production Device is not in the Registry, LITGRID has no information of the plant or its metering, it is impossible to issue any EECS GO.

E.1.3. A EECS GO shall be issued per unit of electricity produced from renewable energy sources and supplied to the electricity grid. The face value of one (1) EECS GO is one (1) MWh. Any

---

<sup>2</sup> Link to the scheduled inspections plans of Production Devices:

<http://vei.lrv.lt/lt/administracine-informacija/ukio-subjektu-prieziura/patikrinimu-planai>



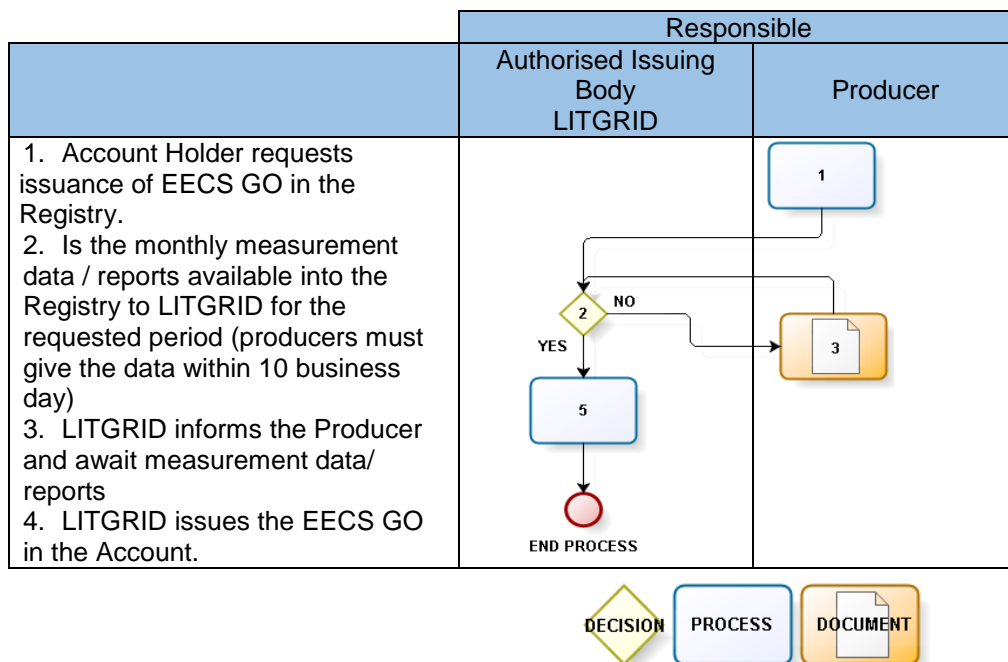
## EECS Domain Protocol

identifiable residual kWh will be carried forward to the next issuing period until one MWh is completed. No more than one EECS GO shall be issued per unit of electricity produced from renewable energy sources, i. e. each energy unit shall be considered only once.

- E.1.4. The EECS GO is issued for the total net amount of electricity produced by Production Device and supplied to the network in Lithuania during one calendar month period. The EECS GO shall be issued no later than one month after the month in which electricity was produced.
- E.1.5. GOs issued for electricity production that took place before LITGRID is an official AIB member are prevented from export through the AIB HUB.
- E.1.6. EECS GO is not issued for the electricity produced that have received support according to support schemes described in the Domain Protocol sections C.3.1.1-C.3.1.6.



## E.2 Process



- E.2.1. The Account Holder or duly authorized his Agent no later than within 10 working days after the end of a calendar month requests issuance of EECS GO in the Registry for this calendar month and fills in the produced electricity measurement data. In case of mixed-type (multifuel) power plants plant, Production Device Owner(s)/Account Holder fills fuel declaration (Annex 4). Fuel declaration must be accurate and reliable.
- E.2.2. In case of mixed-type power plant with several owners, the declaration can be made by any of the owners (or body authorised by an owner) who is also an account Holder in the Registry.
- E.2.3. In case of any doubts about the accuracy of meter readings and/or fuel declarations, LITGRID will not issue EECS GOs for that Production Device, it immediately stops the issuance for the Production Device until such doubts are resolved. After this LITGRID contacts the owner(s) to find out if the discrepancy can be solved. If not, LITGRID initiates an investigation, which is conducted by the Energy Inspectorate. Issuance may be done only when discrepancies has been solved.
- E.2.4. According to Lithuanian law no EECS GO shall be issued to electricity produced from renewable energy sources by the energy producer for its own needs as auxiliary electricity.
- E.2.5. No later than within 10 working days after the end of a calendar month the electricity grid operators for the checking and control purposes shall provide LITGRID with information on the quantity of electricity (MWh) produced from renewable energy sources and injected, during the past calendar month, by each producer connected into their respective grids.
- E.2.6. LITGRID will issue the EECS GO in the Registry only after receiving of production data/reports from the Account Holder (Production Device's Owners or Authorised Agents), electricity grid operators, and if necessary the Energy Inspectorate for the requested period.
- E.2.7. The Account Holder shall receive information in the Registry of the issuance of any EECS GO into Account Holder's Transferable Account and of EECS GO details.

## E.3 Measurement

- E.3.1. Only Production Devices that are equipped with metering equipment shall be registered. Authorised Measurement Bodies (the electricity grid operators) send metering information about nett electricity generation of all plants to LITGRID, which requires this data for reconciling control with the data provided by the producer. It is mandatory to have measuring

equipment located at frontier points between the activities of generation, transmission and distribution.

- E.3.2. The electricity is measured using the EPQS type electricity meters, which records the 60 minutes per hour power consumption. All electric meters should be automated and be read automatically via GPRS connection or over the Internet. In case of a device malfunction, its consumption is counted from the duplicate device or act. Based on hourly data, a monthly act is prepared which signed by the Authorised Measurement Bodies (the electricity grid operators) and Production Device's Owners or Authorised Agents.
- E.3.3. Production Device's Owners or Authorised Agents or the Authorised Measurement Bodies (the electricity grid operators) who owns the electricity meter equipment are responsible for the measurement equipment, which shall comply with the requirements of Lithuanian law relates for periodical metrological control and testing<sup>3</sup>.

## E.4 Energy Storage (Including Pumped Storage)

- E.4.1. There is pumped storage systems in Lithuania, but it's not the part of EECS GO scheme.

## E.5 Combustion Fuels (e.g. Biomass)

- E.5.1. Relevant legislation is: Resolution No. 827 "Description of the Procedure for Promoting the Use of Renewable Resources" adopted by the government of the Republic of Lithuania on 4 July 2012 (link to the document - <https://www.e-tar.lt/portal/lt/legalAct/TAR.A644B5F0CCAE/RjBZYZSmaz> ).
- E.5.2. According to this resolution, the owner of mixed-type power plants is responsible for the submission to LITGRID of the fuel and power balance (Annex 4), which was approved by the Ministry of Energy of the Republic of Lithuania (link to the document - <https://www.e-tar.lt/portal/lt/legalAct/5f0969a0dc8d11e58a92afc65dd68e97> ). The State Energy Inspectorate under the Ministry of Energy (thereinafter - Energy Inspectorate) is responsible for the audit on demand and verification of this data. LITGRID will not issue the EECS GO before confirmation is received from Energy Inspectorate in case if the owner of mixed-type power plants applies for the issue of the EECS GOs. The Energy Inspectorate carries out the monthly verifications of the fuel declarations will be asked from the LITGRID.
- E.5.3. For mixed-type power plants the amount of electricity produced with the use of renewable energy sources at these power plants shall be calculated proportionally to the consumed renewable energy resources expressed in tonnes of oil equivalent by formula, where L is the proportion of the total electricity produced during month by the relevant resource and toe the amount in tonnes of oil equivalent of the relevant resource:

$$L = \frac{toe_1}{toe_1 + \dots + toe_n}$$

The relevant resource input is converted to tonnes of oil equivalent by multiplying the mass of relevant input by specific calorific value (calorific equivalent) of that input. The calorific equivalents are specified in the Annex 4 of Fuel and Energy Balance Methodology approved by the General Director of the Department of Statistics under the Government of the Republic of Lithuania (link to the document - <https://www.e-tar.lt/portal/lt/legalAct/TAR.55F2081A61B9/gnOsauyRHg>).

---

<sup>3</sup> Link to the law on the Metrology Control: <https://www.e-tar.lt/portal/lt/legalAct/TAR.A3C0EA6B2203/pRtgVIATAu>



# EECS Domain Protocol

## E.6 Format

E.6.1. The EECS GO Certificates shall be issued in such format as may be determined by AIB from time to time.

## E.7 Transferring EECS GO Certificates

E.7.1. An Account Holder can get secure electronic access to the Account as stated in section D.1.5 to make transfers of EECS GO Certificates to another Account in the same EECS Registration Database or to another EECS Registration Database for EECS GO Certificates in another Domain through the Registry.

E.7.2. Only persons duly authorized by the Account Holder may request the transfer of EECS GO Certificates out of that Account Holder's Transferable Account. Authorized persons must be identified on the Account application form (Annex 2). Authorized persons can also later be added by the root user(s) of that Account Holder.

E.7.3. Only EECS GO Certificates (except nuclear, fossil HEC-GO) can be transferred to and from the EECS Registration Database. In accordance with Lithuanian law only GO Certificates for electricity produced from renewable energy sources issued in the European Union Member States and the European Economic Area can be transferred.

E.7.4. The initiation of transfers is done in the Registry by the selling Account Holder. The transfer form shall be filled by the selling Account Holder (whether it is the Producer itself or a Registrant with power of attorney) containing the following data:

E.7.4.1. The amount of EECS GO Certificates to be transferred;

E.7.4.2. Domain of the receiving party;

E.7.4.3. Account Holder of the receiving party.

E.7.5. The transfer of EECS GO Certificates and the confirmation of that transfer is automated. After the Account Holder has initiated the transfer, the Registry instantly displays a message of whether or not the initiation has been successful. The EECS GO Certificates are automatically transferred to the receiving account if the initiation of the transfer is successful. If the initiation of the transfer is not successful, the EECS GO Certificates do not leave the Account of the original Account Holder. In transfers between Accounts the success of the transfer is subject to the verification process of the AIB HUB and the receiving Registry. When EECS GO Certificates are in transit they are not available for another transfer. If the transfer is not successful, the EECS GO Certificates return to the Account of the original Account Holder.

E.7.6. EECS GO Certificates that have been cancelled or expired are not available for transfer.

E.7.7. Once a EECS GO Certificate has been held in the registry of a non-Hub User, it may never be transferred through the Hub again. LITGRID is only allowed to use the Hub when transferring EECS GO Certificates to any other Hub User, excluding other means of transfer or separate arrangements in this respect. However, this does not prevent the LITGRID to (1) import through a bilateral connection in its own registry a Certificate that was issued by a Competent Authority that is not a Hub User (even if the Certificate is compliant with EECS



## EECS Domain Protocol

and the Subsidiary Document “HubCom”) and to (2) transfer such Certificate through a bilateral connection.

E.7.8. This section E7 is subject to the provisions in section C5.2.

### **E.8 Administration of Malfunctions, Corrections and Errors**

E.8.1. Once issued the details of a EECS GO Certificate cannot be altered or deleted except for a correction of an error.

E.8.2. LITGRID has the right to perform corrective actions such as withdrawal or transfer of EECS GO Certificates in the Registry where EECS GO Certificates have been erroneously issued or transferred.

E.8.3. Where it is impossible to transfer for technical reasons, this can be overcome by cancelling EECS GO Certificates for use in another domain, subject to an agreement between LITGRID and the importing Issuing Body.

E.8.4. LITGRID shall correct all errors in or with respect to that EECS GO Certificate and any errors replicated in EECS Certificates split from it, provided that such EECS GO Certificate(s) have not been transferred out of that Transferables Account.

E.8.5. In case the EECS GO Certificates are no longer in the Lithuanian domain, LITGRID will cooperate with other Issuing Bodies to withdraw or correct the erroneous EECS GO Certificates.

### **E.9 End of Life of EECS GO Certificates – Cancellation**

E.9.1. EECS GO Certificates may be Cancelled for disclosure of electricity consumption in Lithuania.

E.9.2. EECS GO Certificates may be Cancelled for use in countries or areas which are not a Domain in relation to EECS GO Certificates. Cancellation for such countries or areas will only be technically enabled if there is considerable market interest and an understanding between LITGRID and competent authorities in the beneficiary country or area of basic principles of EECS GO trade and disclosure. LITRID AB must also be reasonably assured that cancellation in the other country or area will not be used in a fraudulent or otherwise inappropriate way.

E.9.3. A EECS GO Certificates may only be Cancelled for use in other EECS GO Certificates Domains provided that transfer of such EECS GO Certificates is not possible to the other Domain, and there is a Cancellation Agreement with the Scheme Member of that other Domain.

E.9.4. When entering into a Cancellation Agreement LITGRID will ensure that the Cancelling Scheme Member provides statistical information concerning Cancelled EECS GO Certificates to the Scheme Member for the other Domain, and that any Cancellation Statement for EECS GO Certificates Cancelled for use in the other Domain clearly identifies the Domain, Account Holder and purpose for which the EECS GO Certificates were cancelled. Information on a new or revised Cancellation Agreement will be provided to the General Secretary within one month after it is agreed by the Scheme Members.

E.9.5. The cancellation removes EECS GO Certificates from circulation. Once Cancelled, a EECS GO Certificate cannot be moved to any other account and is no longer tradable (transferable). The expired EECS GO Certificates are not valid for cancellation.

E.9.6. Account Holders possessing EECS GO Certificates in the Registry, can perform cancellations by executing the transaction in the Registry. The Account Holder must specify the EECS GO Certificates to be cancelled as well as the country of consumption, cancellation purpose, usage category, name, type and location of beneficiary and related consumption period. The Account Holder may choose to cancel part or all of a given certificate bundle or several bundles.

E.9.7. The cancellation of EECS GO Certificates is automated using the cancellation functionality in the Registry. A EECS GO certificate can only be cancelled once and when the EECS GO



## EECS Domain Protocol

Certificate has been cancelled it is taken out of circulation and is not available for trade anymore. Cancelled EECS GO Certificates are removed from the Transferable account by changing their status to “cancelled” so they do not appear in any Account of the Registry after the Cancellation. The Account Holder performing the cancellation has full access to see the details of the cancellation process in Registry or they can order an official Cancellation Statement from LITGRID (Annex 5).

E.9.8. Having performed a cancellation, the Account Holder receives confirmation of a successful or failure cancellation process instantly in the Registry.

E.9.9. LITGRID each month will provide the General Secretary with a statement of the number of EECS GO Certificates cancelled under the provisions E.9.3 and E.9.4.

### **E.10 End of Life of EECS GO Certificates – Expiry**

E.10.1. EECS GOs expire 12 months after the end of the related production period. The same rule applies to all EECS GO Certificates.

E.10.2. EECS GO Certificates which have expired are no longer valid for transfer or any other operation. The expiry-warning period is set to 30 days for the Lithuanian Registry. If the account holder does not react by cancelling the certificates, or transferring (selling) the EECS GO Certificates to someone who then cancels them, then the certificates will expire. No operations will be possible on these certificates.

### **E.11 End of Life of EECS GO Certificates – Withdrawal**

E.11.1. EECS GO Certificates which have been withdrawn are no longer valid for transfer.

E.11.2. LITGRID may withdraw a EECS GO Certificate held in an Account on its EECS Registration Database at the request of the Account Holder of that Account, or otherwise in accordance with the provisions of the EECS scheme as described in section E.8.



## F Issuer's Agents

### F.1 Production Auditor

- F.1.1. At the request of LITGRID, the EECS Market Participants, electricity distribution network operators, the Energy inspectorate and other institution shall provide other information required for the performance of the functions of the LITGRID.
- F.1.2. The Energy Inspectorate shall exercise control, during its scheduled inspections or at the LITGRID request, of the quantities of electricity produced from renewable energy sources and other technical parameters if necessary as stated in section D.6.2.
- F.1.3. A first step of control on the accuracy of the data regarding Production Devices and measurements is always based on the information exchange between local distribution grid companies and LITGRID as the Issuing Body.

### F.2 Production Registrar

- F.2.1. The Production Registrars verify Production Device's data as part of the registration process when deemed necessary by the Issuing Body. Local distribution grid companies are acting as Production Registrars and measurement bodies. LITGRID as the transmission grid operator is also acting as one of the Production Registrars. The primary role of the Production Registrars is to ensure the Production Device is officially connected to the grid (and fulfils all necessary technical requirements). The Production Registrars are the corresponding grid companies the Production Devices are connected to. The Production Devices need to have an effective network service agreements, before they can apply to register in the Registry.

## G Activity Reporting

### G.1 Public Reports

- G.1.1. LITGRID is obligated by the Rules of GO to publish on its website, no later than within 30 calendar days from the end of a calendar month, information on the<sup>4</sup>:
- G.1.1.1. Quantities (in MWh) of electricity produced in Lithuania from renewable energy sources and supplied to the electricity grids to which the EECS GO have been issued, for the past calendar month, brought down according to the types of energy sources;
- G.1.1.2. Recognition of the EECS GO issued in other AIB Member and transfers and use of the EECS GO, brought down according to the types of energy sources.
- G.1.2. LITGRID ensures the confidentiality of the information provided by the EECS Market Participants and compliance with personal data's legal protection requirements in the publication of the information by any means.

### G.2 Record Retention

- G.2.1. LITGRID shall retain all records to which it has had access relating to any EECS GO Certificate on its EECS Registration Database which is the subject of a Transfer Request

---

<sup>4</sup> The statistic information can be found in Registry  
<http://cmo.grexel.com/Lists/PublicPages/Statistics.aspx>



# EECS Domain Protocol

for not less than 10 years after its Cancellation or Expiry or such longer period as may be required by applicable national legislation.

## G.3 Orderly Market Reporting

G.3.1. LITGRID will inform the AIB of any relevant changes in legislation about EECS scheme in Lithuania, especially if it involves changes on this Domain Protocol.

G.3.2. LITGRID will enforce the rules in relation to any act of non-compliance. LITGRID will provide all required information to AIB to resolve or investigate such action.

## H Association of Issuing Bodies

### H.1 Membership

H.1.1. The AIB is an enabler of EECS GO Certificate schemes. The AIB promotes the use of a standardized System, based on harmonized environment, structures and procedures in order to ensure the reliable operation of EECS GO Certificate Registries. LITGRID considers AIB membership as a key point to remove possible barriers that might impair EECS GO's imports and exports.

H.1.2. In the case LITGRID would be replaced by other Issuing Body for the Lithuania domain by a new Law, AIB would be informed immediately. In this situation, LITGRID would take the necessary actions to guarantee a right transition to the new Issuing Body.

H.1.3. Where LITGRID ceases to be an Authorised Issuing Body in relation to an EECS Product, it shall revise its EECS Registration Database so that each Production Device in the Lithuanian Domain ceases to be registered for the purposes of that EECS Product.

H.1.4. Where LITGRID ceases to be a Scheme Member of an EECS Scheme it shall revise its EECS Registration Database so that every Production Device registered therein ceases to be registered for the purposes of each EECS Product in relation to the Output to which that EECS Scheme relates. The EECS Registration Database shall be locked and no further issuing shall take place.

### H.2 Complaints to the AIB

H.2.1. EECS Market Participants may notify in writing the General Secretary of AIB (and provide evidence substantiating such allegation) that:

H.2.1.1. An Authorised Issuing Body in relation to an EECS Product is in breach of any of the provisions of Product Rules in relation to that EECS Product; or

H.2.1.2. Any Product Rules do not comply with the relevant provisions of the EECS Rules. Then provided evidence that the Authorised Issuing Body has been given adequate opportunity to respond to such allegation, the General Secretary shall invite the relevant Authorised Issuing Body to respond to the allegation.





## I Change Control

### I.1 Complaints to LITGRID and disputes

I.1.1. An Account Holder may file complaints against LITGRID, if the complaint regards a decision on LITGRID part, and LITGRID finds that the complaint is justified, then LITGRID will make every effort to correct the mistake as soon as possible. Treatment of the complaint and disputes will be made in accordance with the national legislation.

I.1.2. Disputes between two market parties where the reason for the dispute is a mistake or technical error on LITGRID part, shall be notified as soon as possible to [info@litgrid.eu](mailto:info@litgrid.eu). Disputes between market parties related to delayed or incomplete payment or other issues relating to contractual agreements between the parties will not be handled nor resolved by LITGRID.

If LITGRID and the Account Holder are unable to solve a dispute, the matter shall be resolved according to Lithuanian national legislation.

### I.2 Change Requests

I.2.1. The EECS Market Participant may propose a modification to this Domain Protocol.

I.2.2. Such a proposal will include a detailed description, including an exact specification of any proposed modification of this Domain Protocol and be passed in writing to LITGRID.

I.2.3. On receipt of such a request, LITGRID will:

I.2.3.1. Respond to the request describing the procedures to be followed and estimating when a reply can be expected;

I.2.3.2. Consult with the other EECS Market Participants within Lithuania;

I.2.3.3. Decide whether the request and its consequences are in its opinion reasonable;

I.2.3.4. Inform the Participants within Lithuania the outcome of this decision.

I.2.4. LITGRID may make such modifications to this Domain Protocol as are in its opinion necessary to the effective, transparent and efficient operation of the market.

I.2.5. Any modifications to this Domain Protocol are subject to approval by the AIB (Assessment Panel in accordance with EECS rules section L5.2.1 and the prior consent of the General Meeting in accordance with the provisions of EECS rules section L5) that such changes do not conflict with the Principles and Rules of Operation of the Association of Issuing Bodies (AIB) for The European Energy Certification Registry.

I.2.6. Implementation of modifications will be notified by e-mail to the Participants and will take effect on publication of the documentation on the website [www.aib-net.org](http://www.aib-net.org) and LITGRID [www.litgrid.eu](http://www.litgrid.eu)





# EECS Domain Protocol

## Annex 1: Contacts List

### Authorised Issuing Body/ Competent Authority/Registry Operator/Registry support

LITGRID

A. Juozapavičiaus Str. 13, LT-09311, Vilnius, LITHUANIA

Phone: +370 7070 2171

e-mail: [info@litgrid.eu](mailto:info@litgrid.eu)

website: [www.litgrid.eu](http://www.litgrid.eu)

[info@litgrid.eu](mailto:info@litgrid.eu) or [settlement@litgrid.eu](mailto:settlement@litgrid.eu) (questions relating to guarantees of origin and the Registry)

### Production Registrars

#### LITGRID and local distribution grid companies

[www.litgrid.eu](http://www.litgrid.eu) or <http://www.regula.lt/en/Pages/default.aspx> (for the list of licensed distribution grid companies)

### Production Auditors

The Energy Inspectorate under the Ministry of Energy of the Republic of Lithuania <http://vei.lrv.lt/en/>

The Ministry of Energy of the Republic of Lithuania <http://enmin.lrv.lt/en/>

Local distribution grid companies <http://www.regula.lt/en/Pages/licensing-permissions.aspx>

The National Commission for Energy Control and Prices <http://www.regula.lt/en/Pages/default.aspx>

### Measurement Bodies

LITGRID and local distribution grid companies, [www.litgrid.eu](http://www.litgrid.eu) <http://www.eso.lt/en/home.html> or <http://www.regula.lt/en/Pages/Electricity/electricity-energy-distribution.aspx>



# EECS Domain Protocol

## Annex 2: Submission Form and Know-Your-Customer Questionnaire

See separate document: "Know Your Customer" (KyC) Questionnaire

<b>Name of the market participant (company and / or power plant):</b>			
<b>Application Status:</b>	<input type="checkbox"/> <b>New</b> (only new members)	<input type="checkbox"/> <b>Replacement</b> (replaces all previous forms)	<input type="checkbox"/> <b>Amendment(s)</b> (amends existing information)

<b>Status of the market participant</b>	<input type="checkbox"/> <b>Producer</b>	<input type="checkbox"/> <b>Supplier</b>
	<input type="checkbox"/> transmission network <input type="checkbox"/> distribution network  (Indicate to which network is connected)	<input type="checkbox"/> Lithuanian <input type="checkbox"/> Other country  (Indicate)

### 1. GENERAL CONTACT INFORMATION

<b>Address of the market participant:</b>		<b>Address of the market participant's correspondence:</b>	
<b>Company code:</b>		<b>VAT code:</b>	
<b>Phone:</b>		<b>Email addresses</b>	
<b>Bank details:</b> name, bank code, SWIFT code, IBAN No.			

<input type="checkbox"/> <b>License</b>  (must be supplied by the supplier)	<input type="checkbox"/> <b>Operation permit</b>  (must provide by the producer)	<input type="checkbox"/> <b>The recent inspection act of the Energy Inspectorate</b>  (must provide by the producer)	<input type="checkbox"/> <b>Recent Property Limit Scheme</b>  (must provide by the producer)	<input type="checkbox"/> <b>A completed Know Your Customer questionnaire</b>  (mandatory for non-Lithuanian participants)	<input type="checkbox"/> <b>Other documents</b>  (one of: graphical representations of the PD and its location, including diagrams and photographs, location of any transformer substations and etc. have to be provided by the producer)
---	--	--	--	---	---

### 2. ADDITIONAL DOCUMENTS\*

\*- in case of non-providing one of the documents the contract will not be concluded.



# EECS Domain Protocol

## 3. LIST OF PERSONS WITH RIGHT OF REPRESENTATION

<b>Status:</b>	<input type="checkbox"/> New	<input type="checkbox"/> Existing	<input type="checkbox"/> Replacing [ <i>Name surname</i> ]	<input type="checkbox"/> Main USER <input type="checkbox"/> Additional USER <small>(indicate one of them)</small>
<b>Name:</b>			<b>Position:</b>	
<b>Phone No.:</b>			<b>Mobile phone No.:</b>	
<b>E-mail:</b>				
<b>Responsible for:</b>				
<b>Comments:</b>				

<b>Status:</b>	<input type="checkbox"/> New	<input type="checkbox"/> Existing	<input type="checkbox"/> Replacing [ <i>Name surname</i> ]	<input type="checkbox"/> Main USER <input type="checkbox"/> Additional USER <small>(indicate one of them)</small>
<b>Name:</b>			<b>Position:</b>	
<b>Phone No.:</b>			<b>Mobile phone No.:</b>	
<b>E-mail:</b>				
<b>Responsible for:</b>				
<b>Comments:</b>				

NOTE: Please indicate one main user and any other users who will need access to the Registry. The main user will receive all necessary information related to access to the Registry via e-mail and SMS.

## 3. GENERAL TERMS

**Confidentiality.** The Market Participant undertakes to keep all the information specified in this application, as well as other information related to the execution of this request, confidential and not in any way transferred or otherwise disclosed to any third parties, except in cases stipulated by law or upon receipt of written consent of LITGRID AB.

**The change of information.** The Participant undertakes immediately inform LITGRID AB in writing if the information specified in the request is changed.

**By signing below, I confirm the accuracy of the above mentioned information and undertake to comply with the terms and conditions set out in this application.**

For and on behalf of [*Insert name of market participant*]:

\_\_\_\_\_  
Name and title

\_\_\_\_\_  
Signature  
Date:

**Signatures:**

The Market Participant or his authorized representative must submit a power of attorney, procuracy or other document proving that the signatory has the right to represent the market participant and to sign the representation documents (application, contract and other related documents).

- there is also an option to attach required documents



# EECS Domain Protocol

## Annex 3: Device Registration Form

<b>New Registration / Declaration of Changes*</b>			Date			
<b>Registrant Details</b>						
Is the Registrant also the owner of the Device?						Yes/No*
Registrant Name:				Contact person:		
Street:				e-mail:		
City:				Telephone:		
Postal (ZIP) code:				Fax		
Country:						
<b>Production Device Details</b>						
Device Name:					Latitude	
Street:					Longitude	
City:					TSO's metering ID	
Postal (ZIP) code:					Installed capacity (kW)	
Country:			[domain]		Date of commissioning	
Measurement Body:					Grid connected	
					Yes/No*	
<b>Production Auxiliaries present (if yes give details) :</b>			Yes/No*			
If the Production Device is not connected directly to the grid, specify the circumstances, and additional relevant meter registration numbers:						
<b>Energy Sources (see tables below)</b>						
<b>Energy Input</b>			<b>Technology</b>			
Level 1	Level 2	Level3	Level 1	Level 2	Level3	
<b>Support Schemes</b>						
Yes/No*	[insert support scheme name here]		Yes/No*	[insert support scheme name here]		
Yes/No*	[insert support scheme name here]		Yes/No*	[insert support scheme name here]		
Yes/No*	[insert support scheme name here]		Yes/No*	[insert support scheme name here]		
<b>Independent Certification Schemes for which the device is eligible</b>						

\* Please attach to the application a copy of a permit to produce electricity and/or of an operating permit/licence issued to the supplier where such permit/licence is mandatory according to the law.

Signed

\_\_\_\_\_  
Registrant Authorised Signature

\_\_\_\_\_  
Signature of Production Registrar

The following is a summary of the EECS Rules Fact Sheet 'Types of Energy Inputs and Technologies' entries for technologies.

Energy Inputs			
Level 1	Level 2	Level 3	
Solid	Unspecified	Unspecified	
	Municipal waste	Biogenic	
	Industrial and commercial waste	Biogenic	
	Wood	Unspecified	
		Forestry products	
		Forestry by-products & waste	
	Animal fats	Unspecified	
	Biomass from agriculture	Unspecified	
		Agricultural products	
		Agricultural by-products & waste	
Liquid	Unspecified	Unspecified	
	Municipal biodegradable waste	Unspecified	
	Black liquor	Unspecified	
	Pure plant oil	Unspecified	
		Rapeseed (Brassica napus L.)	
		Sunflower (Helianthus annuus L.)	
		Oil palm (Elaeis guineensis Jacq.)	
		Coconut (Cocos nucifera L.)	
		Yatropha	
		Waste plant oil	Unspecified
	Refined vegetable oil	Unspecified	
		Biodiesel (mono-alkyl ester)	
		Biogasoline (C <sub>6</sub> -C <sub>12</sub> hydrocarbon)	
	Gaseous	Unspecified	Unspecified
		Landfill gas	Unspecified
Sewage gas		Unspecified	
Agricultural gas		Unspecified	
		Pig manure	
		Cow manure	
		Chicken manure	
		Unspecified manure	
Energy crops			
Gas from organic waste digestion		Unspecified	
Process gas		Biogenic	
Heat	Solar	Unspecified	
	Geothermal	Unspecified	
		Conventional geothermal heat	
		Enhanced dry bed geothermal heat	
	Aerothermal	Unspecified	
	Hydrothermal	Unspecified	
	Process heat	Biogenic	
Mechanical source or other	Unspecified	Unspecified	
	Wind	Unspecified	
	Hydro & marine	Unspecified	

Technologies			
Level 1	Level 2	Level 3	
Solar	Unspecified	Unspecified	
	Photovoltaic	Unspecified	
		Classic silicon	
		Thin film	
	Concentration	Unspecified	
Wind	Unspecified	Unspecified	
		Onshore	
		Offshore	
Hydro-electric Head	Unspecified	Unspecified	
	Run-of-river head installation	Unspecified	
	Storage head installation	Unspecified	
	Pure pumped storage head installation	Unspecified	
	Mixed pumped storage head	Unspecified	
Marine	Unspecified	Unspecified	
	Tidal	Unspecified	
		Onshore	
		Offshore	
	Wave	Unspecified	
		Onshore	
		Offshore	
Currents	Unspecified		
Pressure	Unspecified		
Thermal	Unspecified	Unspecified	
	Combined cycle gas turbine with heat recovery	Unspecified	
		Non CHP	
		CHP	
	Steam turbine with back-pressure turbine (open cycle)	Unspecified	
		Non CHP	
	Steam turbine with condensation turbine (closed cycle)	Unspecified	
		Non CHP	
	CHP	Unspecified	
		Non CHP	
	Gas turbine with heat recovery	Unspecified	
		Non CHP	
	CHP	Unspecified	
		Non CHP	
	Internal combustion engine	Unspecified	
Non CHP			
CHP			
Micro-turbine	Unspecified		
	Non CHP		
	CHP		
Stirling engine	Unspecified		
	Non CHP		
CHP	Unspecified		
	Non CHP		
Fuel cell	Unspecified		
	Non CHP		
	CHP		
Steam engine	Unspecified		
	Non CHP		
	CHP		
Organic rankine cycle	Unspecified		
	Non CHP		
	CHP		
Nuclear	Unspecified	Unspecified	
	Heavy-water reactor	Unspecified	
	Light water reactor	Unspecified	
	Breeder	Unspecified	
	Graphite reactor	Unspecified	
Other	Unspecified	Unspecified	



## **Annex 4: Production/Consumption Declaration**

Filled in the Registry directly.



For the mixed-type power plants

(The form of the electric fuel balance)

\_\_\_\_\_  
(Name of the company, registration code and address)

\_\_\_\_\_  
(Name of the producers, a permit number and date)

\_\_\_\_\_  
(contacts, which is sent in the form of)

## ELECTRIC FUEL BALANCE

\_\_\_\_\_  
(date of signature)

\_\_\_\_\_  
(date of production)

	Measurement unit	
1. Consumption of fuel in total	t. o. e.	
1.1. Renewable energy resources	t. o. e.	
1.1.1. Biofuel	t. o. e.	
1.1.1.1. Gaseous	t. o. e.	
1.1.1.2. Liquids	t. o. e.	
1.1.1.3. Solid	t. o. e.	
1.1.2. Other renewable energy resources	t. o. e.	
1.2. Non-renewable energy resources	t. o. e.	
1.2.1. Natural gas	t. o. e.	
1.2.2. Fuel oil	t. o. e.	
1.2.3. Other	t. o. e.	
2. Renewable energy's share of total fuel consumption	%	
3. Electricity produced during the reporting month	MWh	
4. Heat energy made during the reporting month	MWh	
5. The amount of electricity delivered to the networks for reporting month according to the counter.	MWh	
5.1. The amount of electricity from renewable sources delivered to the networks for reporting month (nett output)	MWh	
5.2. The amount of electricity from non-renewable sources delivered to the networks for reporting month	MWh	
6. The electric energy amount consumed for producer own needs as auxiliary electricity	MWh	
Support scheme		

\_\_\_\_\_  
(responsible person)

\_\_\_\_\_  
(signature)

\_\_\_\_\_  
(Name, surname, contact phone number)



# EECS Domain Protocol



## Annex 5: EECS Electricity Cancellation Statement

### Template

This Cancellation Statement acts as a receipt for the <EECS Scheme> Certificates listed below and for the purpose shown.

With this Cancellation Statement, released on the <yyyy-mm-dd>, the indicated Certificates are no longer tradable. Onward sale of this Cancellation Statement is prohibited. The environmental qualities of the associated energy have been consumed and this Cancellation Statement and these Certificates may not be transferred to any party other than the energy supplier or end-consumer specified below.

<b>Transaction Type:</b>	<...>
Transaction Date:	<...>
Transaction Number:	<...>
Transaction status:	<...>

From	
Name of Account Holder:	<...>
Account:	<...>
Domain:	<...>
Street:	<...>
Postal Code and City:	<...>
Country:	<...>

To	
Name of Beneficiary:	<...>
Cancellation Purpose:	<...>
Consumption Period:	<...>
Country of Consumption:	<...>
Location of Beneficiary:	<...>
Usage Category:	<...>
Type of Beneficiary:	<...>

Total GO	<...>
----------	-------

Total MWh:	<...>
------------	-------





# EECS Domain Protocol



Certificate Number (From - To)	Volume	Domain	Fuel, Technology	Issuing Date	Production Period	Production Device (GSRN, installed capacity, name)	Trading schemes	Support Schemes
<...>	<...>	<...>	<...>	<...>	<...>	<...>	<...>	<...>

Production Device public information	
Production Device Name:	<...>
Production Device GSRN:	<...>
Domain of Production Device:	<...>
Installed Capacity, MW	<...>
Date of Commissioning:	<...>
Location of Production Device:	<...>
Operator Name:	<...>
Address of Operator:	<...>
Technology :	<...>
Fuel:	<...>
<...>	<...>

LITGRID, Lithuania

Signature